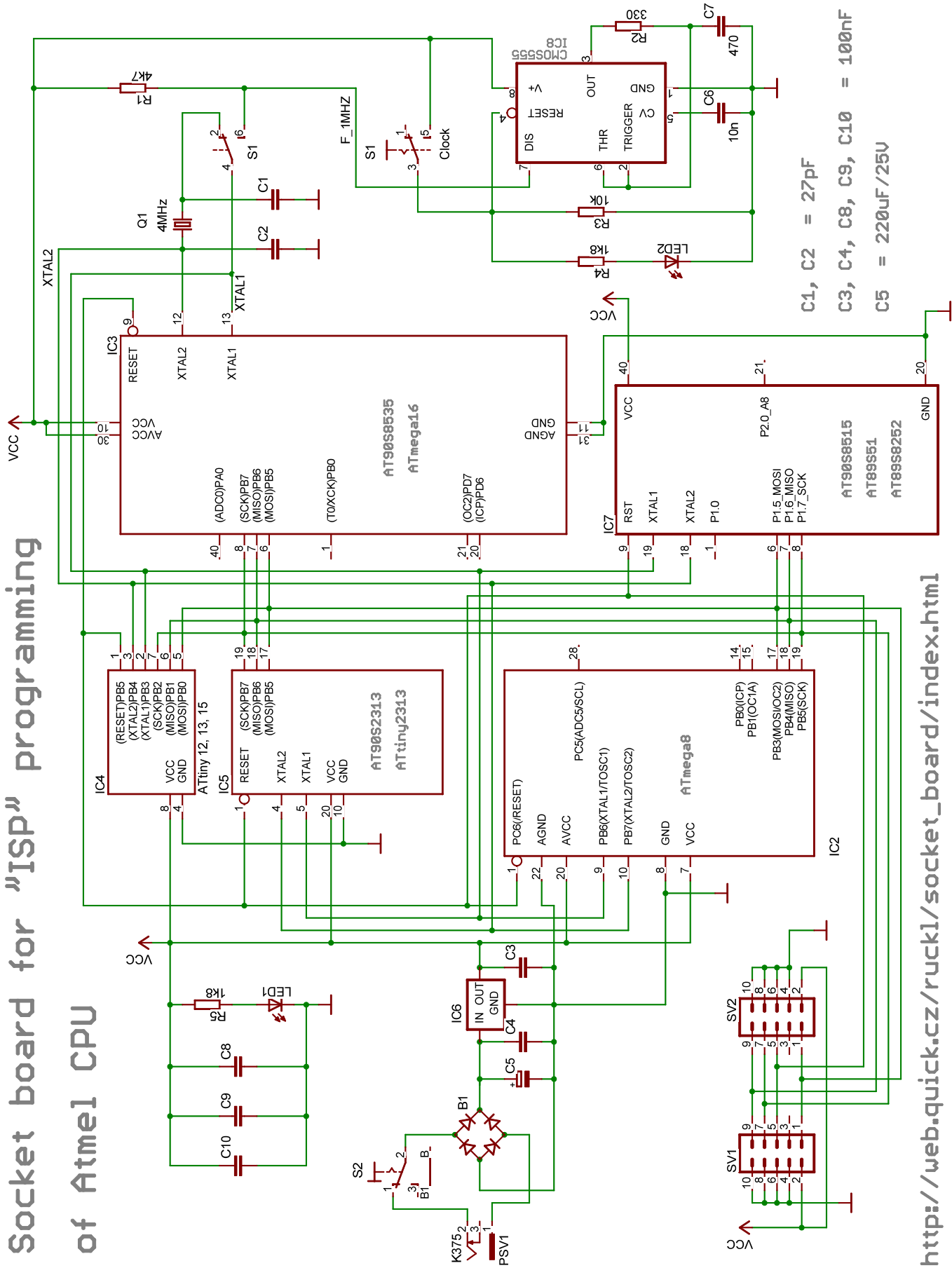


Socket board for "ISP" programming

of Atmel CPU



C1, C2 = 27pF
 C3, C4, C8, C9, C10 = 100nF
 C5 = 220uF/25V